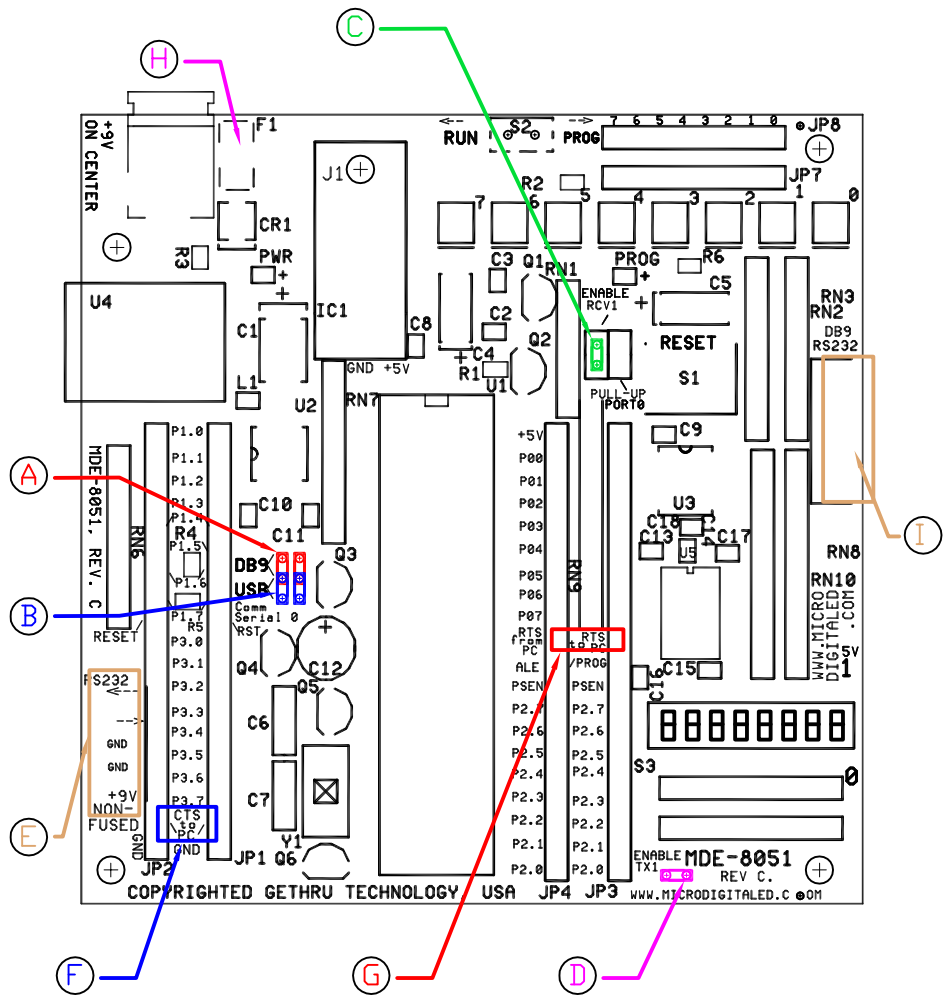


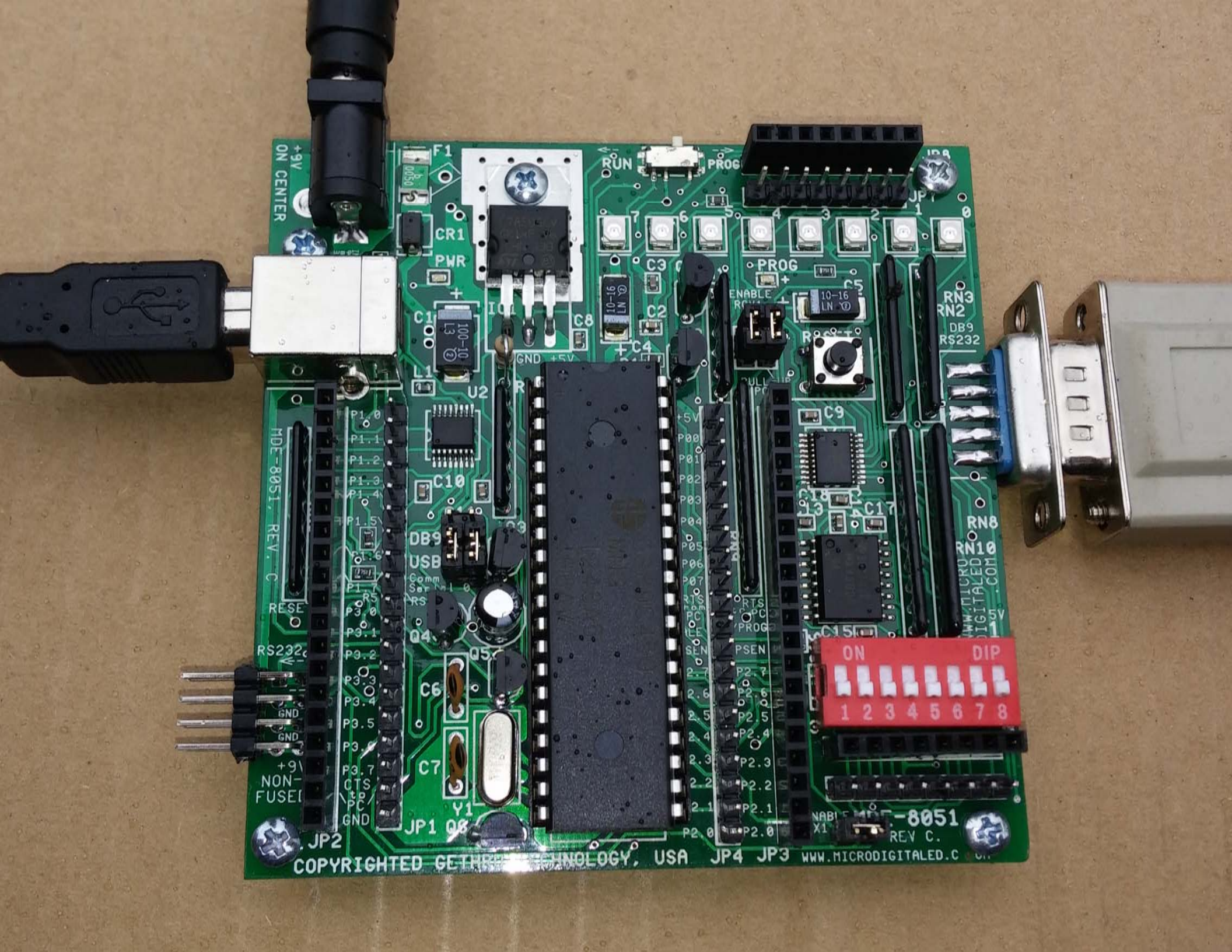
MDE-8051 Rev C

REVISIONS				
ZONE	REV	DESCRIPTION	DATE	APPROVED
			03-14-2014	



- A. Set these two jumpers to the upper position as shown will connect serial 0 to the DB9. When serial 0 is connected to DB9 connector, DO NOT connect neither the jumpers (C) nor (D). Jumpers (C) and (D) connect serial 1 to DB9.
- B. Set these two jumpers to the lower position as shown will connect serial 0 to the USB. This is the default connection.
- C. This jumper connects RX in DB9 to serial 1's RX. DO NOT connect this jumper if jumpers (A) are installed because jumpers (A) connect serial 0 to the DB9 too.
- D. This jumper connects TX in DB9 to serial 1's TX. DO NOT connect this jumper if jumper (A) are installed because jumpers (A) connect serial 0 to the DB9 too.
- E. This right angle header contains TX and RX in RS232 signal level from the DB9 connector. It also connects to the +9V from the barrel connector to the power adaptor (non fused).
- F. CTS signal in the DB9 is accessible here.
- G. RTS signal in the DB9 is accessible here.
- H. A PTC resettable fuse is installed.
- I. RS232 DB9 connector is here.

GETHRU TECHNOLOGY			
MDE-8051			
SIZE A	FSCM NO.	DWG NO.	REV C
		95001015	
SCALE	SHEET		



+9V
ON CENTER

MDE-8051, REV. C

RESE

+9V
NON-FUSEL

JP2

COPYRIGHTED GETHR... TECHNOLOGY, USA

JP4 JP3

WWW.MICRODIGITALE.D.C

REV C.



F1

CR1

PWR

C10

DB9

Q4

Q5

C6

C7

JP1

Q6

Y1

RUN

C3

C2

C8

C4

+5V

P00

P01

P02

P03

P04

P05

P06

P07

P08

P09

P10

P11

P12

P13

P14

P15

P16

P17

P18

PROG

C5

PROG

ENABLE

R

C9

C17

C15

UL

PC

PROG

PSEN

P2.7

P2.6

P2.5

P2.4

P2.3

P2.2

P2.1

P2.0

P2.0

P2.0

P2.0

P2.0

P2.0

P2.0

P2.0

IDA

JP1

PROG

RN3

RN2

DB9

RS232

RN8

RN10

5V

1

ON DIP
1 2 3 4 5 6 7 8

ENABLE X1
-8051

